

Minuteman[®]



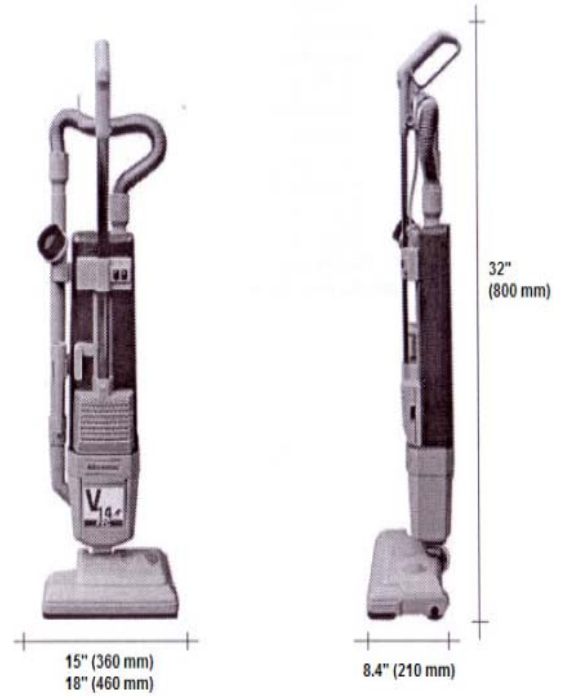
Parts Manual
V14 Pro Plus & V17 Pro Plus

Table of Contents

Technical Specifications	2
Safety Instructions	2
Chassis Assembly Upper	3
Chassis Assembly Upper Bill Of Material	4
Chassis Assembly Lower	5
Chassis Assembly Lower Bill Of Material	6
Wiring Diagrams.....	7
Minuteman Limited Warranty	8

Technical Specifications

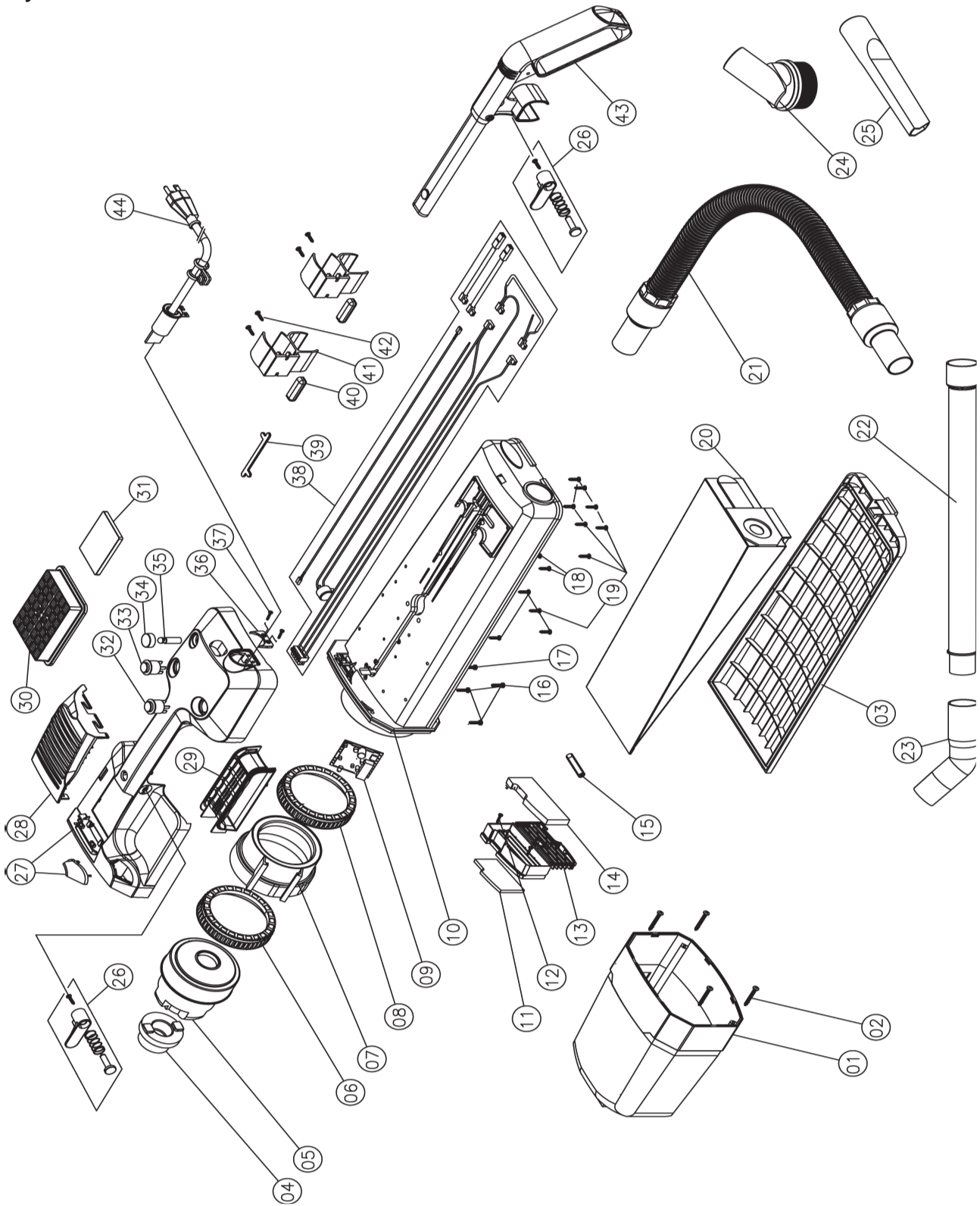
Model	V14 PRO PLUS	V17 PRO PLUS
Model No.	V14115PP	V17115PP
	14"	17"
Current Max	9.5 Amps	9.5 Amps
Vacuum motor power	1150 W	1150 W
Brush motor power	150 W	150 W
Working width	14" (350 mm)	17" (430 mm)
Weight	14.8 lbs	14.8 lbs
Noise level	68 dB(A)	68 dB(A)
Voltage	120 / 60 Hz	120 / 60 Hz
Brush motor control board	Provided	Provided
Transmission	Poly V belt	Poly V belt
Air flow	106 cfm (50 l/s)	106 cfm (50 l/s)
Dustbag	61 cu. In. (6.5 l)	61 cu. In. (6.5 l)
Cable	50 ft (15 m)	50 ft (15 m)
Protection	3-wire ground	3-wire ground
Suction	104" of water (26 kpa)	104" of water (26 kpa)



For Safety When Servicing or Maintaining Machine

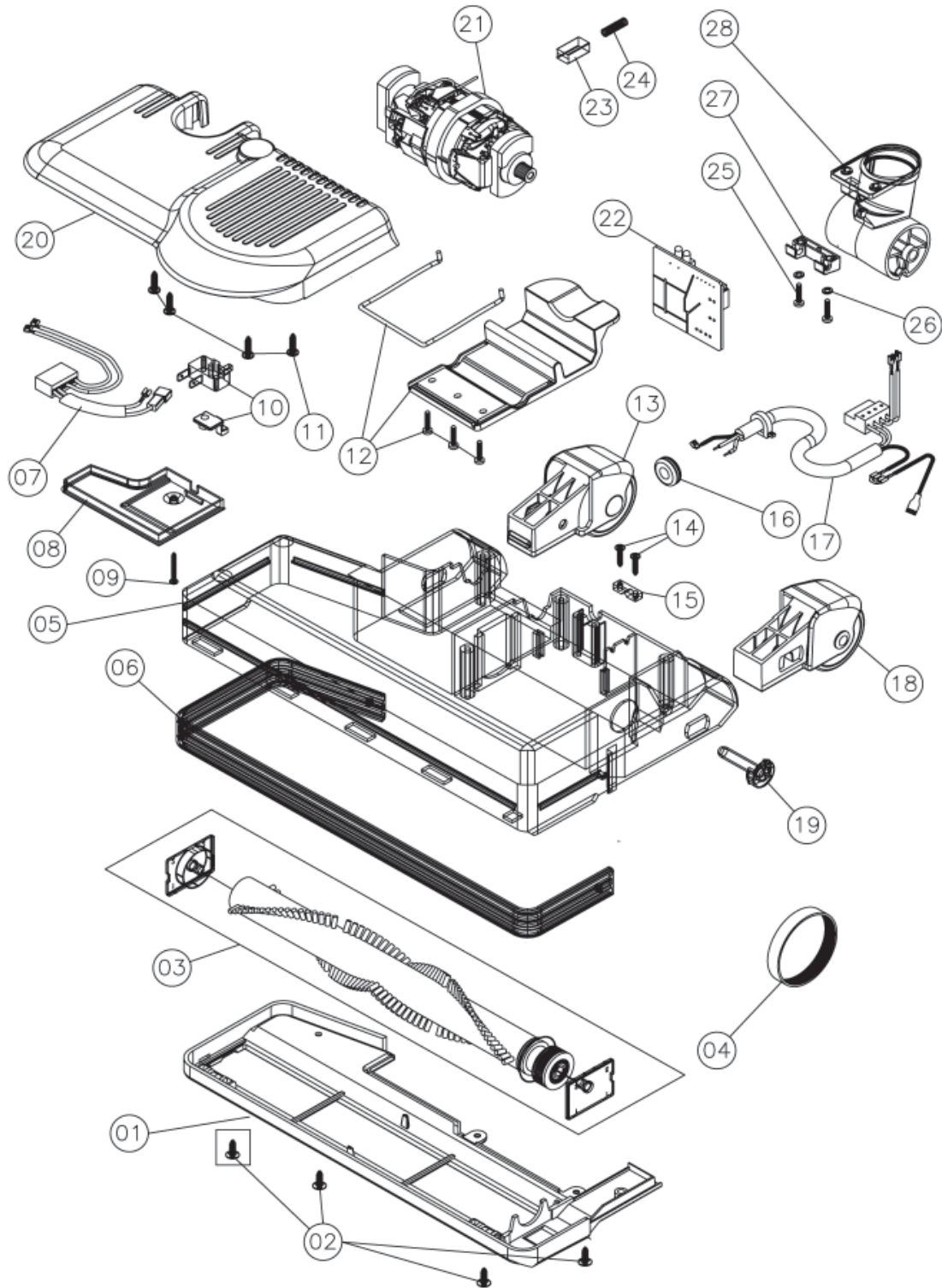
- Disconnect the power to the machine.
- Avoid moving parts. Do not wear loose jackets, shirts, or sleeves when working on machine.
- Do not clean machine with a pressure washer.
- Authorized personnel must perform repairs and maintenance. Use Minuteman supplied replacement parts.

Upper Housing
Assembly



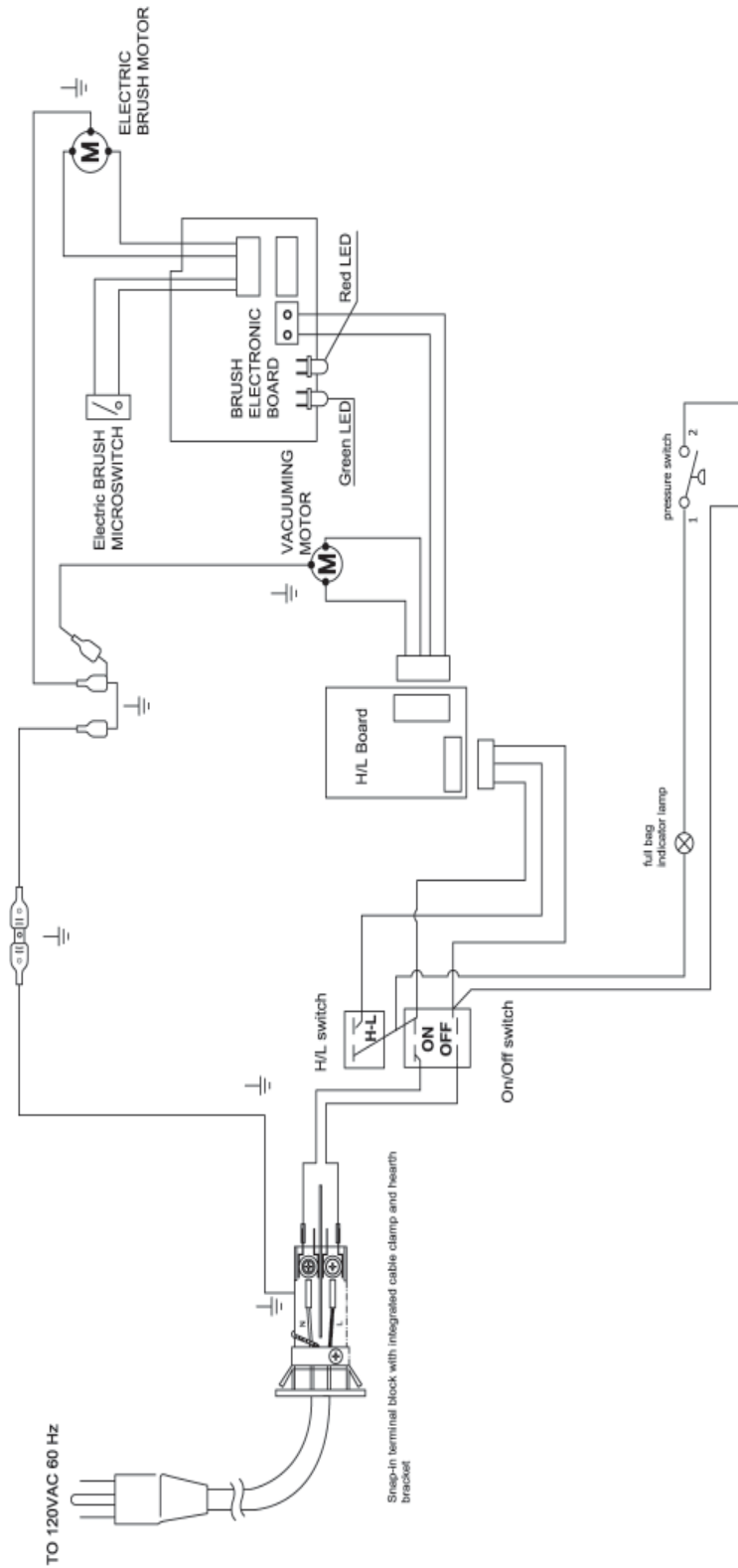
V14 PRO PLUS & V17 PRO PLUS UPPER HOUSING ASSEMBLY			
ITEM	PART NUMBER	QUANTITY	DESCRIPTION
1	141513	1	V14 FULL SHELL, CRX MINUTEMAN
1	141514	1	V17 FULL SHELL, CRX MINUTEMAN
2	141604	4	screw included in "Screw set for full shell"
3	141515	1	COMPLETE SHUTTER, CRX MINUTEMAN
4	141516	1	MOTOR SUPPORT
5	141517	1	1000-W, 120-V VACUUMING ENGINE
6	141518	1	PRIOR RING FOR VACUUMING MOTOR
7	141610	1	SPACER WCUP COMM.USA
8	141609	1	NEOPRENE VACUMING WIRING WCUP
9	141519	1	BRUSH MOTOR CONTROL BOARD
10	141520	1	MAROON CASING CRX
11	141612	1	ENGINE PROTECTION FILTER
12	141613	1	SCR-ST-PAN HD, 3.5MM X 16MM, STL., ZINC
13	141614	1	GREEN HOLDER INTERNAL FILTER
14	141615	1	INTERNAL FILTER
15	141616	1	PERFUME DISPENSER STICK, IN DRUM 10 PIECES
16	TBD	3	screw included in "Screw set for case"
17	TBD	1	screw included in "Screw set for case"
18	TBD	2	screw included in "Screw set for case"
19	TBD	11	screw included in "Screw set for case"
20	141602	1	PACK OF 10 PIECES PAPER BAGS
21	141622	1	GREY ROTATING SLEEVE FOR FLEXIBLE DUCT
22	141624	1	GREY TELESCOPING EXTENSION
23	141625	1	GREY CURVED SLEEVE FOR FLEXIBLE DUCT
24	141626	1	GREY SMALL BRUSH
25	141627	1	GREY TIP
26A	141521	1	UPPER CORD MAROON
27	141522	1	BURGUNDY COVER SWITCH/HOLDER CRX
28	141523	1	MAROON AIR VENT COVER, CRX
29	141524	1	MAROON HANDLE CRX
30	141525	1	HEPA H13-LAM FILTER, CRX CPL
31	141526	1	PRE-FILTER PPI60, "CRX"
32	141527	1	RED BIPOLAR SWITCH, CRX
33	141528	1	BLACK UNIPOLAR SWITCH, CRX
34	141529	1	LUMINOUS GEM SWITCH
35	141530	1	LUMINOUS DETECTOR
36	141531	1	MAROON CORD PROTECTOR
37	141532	2	screw included in "Screw set TO DEFINE"
38	141533	1	INNER ELETRIC CIRCUIT WIRING
39	141534	1	PLANKING
40	141643	2	BLOCK NUT
41	141644	2	DARK GREY HOSE FASTENER
42	141617	4	SCR-ST-PAN HD 3.5MM X 12MM STL ZINC
26	141651	1	DARK GREY UPPER CORD COILER SET
43	141535	1	COMPLETE HANDLE HANDGRIP CRX
44	141536	1	GREY POWER CORD,U.S. PLUG CPL MODIFIED

Lower Housing Assembly



V14 PRO PLUS & V17 PRO PLUS LOWER HOUSING ASSEMBLY			
ITEM	PART NUMBER	QUANTITY	DESCRIPTION
1	141662	1	BASE 14"
1	141500	1	BASE 16"
2	141664	4	SCR-ST-OD, 4.2MM X 16MM, STL., ZINC
3	141501	1	ROLLER 14"
3	141502	1	ROLLER 16"
4	141671	1	POLY-V BELT
5	141672	1	14" DARK GREY CASE
5	141503	1	16" DARK GREY CASE
6	141674	1	14" DARK GREY BUMPER 0,58
6	141504	1	16" DARK GREY BUMPER 0,71
7	141695	1	WIRING CARPET-BEATING
8	141681	1	LARGE MICROSWITCH COVER
9	141682	1	SCR-ST-PAN HD, 3MM X 20MM, STL., ZINC
10	141680	1	COMPLETE ASSEMBLED MICROSWITCH
11	141685	1	SCR-ST-PAN HD, 3.5MM X 16MM STL., ZINC
12	141505	1	LONG PEDAL
13	141506	1	LEFT BACK WHEEL CPL
14	141684	2	SCR-ST-PAN HD, 3.5MM X 16MM STL., ZINC
15	141686	1	U-BOLT FOR FASTENING THE CORD TO THE CASE
16	141676	1	CORD GROMMET
17	141677	1	FULL-SHEEL WIRING COMPLETE
18	141507	1	RIGHT BACK WHEEL CPL
19	141679	1	WHEEL HUB, DIAMETER 57
20	141508	1	DARK GREY LARGE JOINT-BLOCKING COVER
21	141509	1	120-V COMPLETE TRACTION ENGINE
22	141510	1	120-V COMPLETE ELECTRONIC BOARD
23	141511	1	BRUSH MOTOR CARBON
24	141512	1	BRUSH MOTOR CARBON SPRING
25	141691	2	SCR-ST-PAN HD, 3MM X 26MM STL., ZINC
26	141692	2	WASHER, 3.5MM STL., ZINC
27	141693	1	CORD FASTENER FOR JOINT
28	141694	1	JOINT COMMERCIAL

WIRING DIAGRAMS



Minuteman International Made Simple Commercial Limited Warranty

Minuteman International, Inc. warrants to the original purchaser/user that the product is free from defects in workmanship and materials under normal use. Minuteman will, at its option, repair or replace without charge, parts that fail under normal use and service when operated and maintained in accordance with the applicable operation and instruction manuals. All warranty claims must be submitted through and approved by factory authorized repair stations.

This warranty does not apply to normal wear, or to items whose life is dependent on their use and care, such as belts, cords, switches, hoses, rubber parts, electrical motor components or adjustments. Parts manufactured by Minuteman are covered by and subject to the warranties and/or guarantees of their manufacturers. Please contact Minuteman for procedures in warranty claims against these manufacturers.

Special warning to purchaser -- Use of replacement filters and/or prefilters not manufactured by Minuteman or its designated licensees, will void all warranties expressed or implied. A potential health hazard exists without original equipment replacement.

All warranted items become the sole property of Minuteman or its original manufacturer, whichever the case may be.

Minuteman disclaims any implied warranty, including the warranty of merchantability and the warranty of fitness for a particular purpose. Minuteman assumes no responsibility for any special, incidental or consequential damages.

This limited warranty is applicable only in the U.S.A. and Canada, and is extended only to the original user/purchaser of this product. Customers outside the U.S.A. and Canada should contact their local distributor for export warranty policies. Minuteman is not responsible for costs or repairs performed by persons other than those specifically authorized by Minuteman. This warranty does not apply to damage from transportation, alterations by unauthorized persons, misuse or abuse of the equipment, use of non-compatible chemicals, or damage to property, or loss of income due to malfunctions of the product.

If a difficulty develops with this machine, you should contact the dealer from whom it was purchased.

This warranty gives you specific legal rights, and you may have other rights which vary from state to state. Some states do not allow the exclusion or limitation of special, incidental or consequential damages, or limitations on how long an implied warranty lasts, so the above exclusions and limitations may not apply to you.

Cord Electric Group..... Three years parts, two years labor, ninety days travel (Not to exceed two hours)

Exceptions..... Port-A-Scrub, one year parts, six months labor
MPV 13, one year parts
V-14, one year parts, one year labor
MPV 14 and 18, two years parts, one year labor
RapidAir blower, one year parts, one year labor
Explosion-Proof Vacuum, one year parts, one year labor
X12 and X12H, one year parts, one year labor
TRS 14, one year parts, one year labor

Battery Operated Group..... Three years parts, two years labor, ninety days travel
(Not to exceed two hours)

Exceptions..... Sweepers, one year parts, one year labor, ninety days travel
(Not to exceed two hours)

Internal Combustion Group....One year parts, one year labor, ninety day travel
(Not to exceed two hours)

Battery Chargers.....One year replacement

Replacement Parts.....Ninety days

Batteries.....0-3 months replacement, 4-12 months pro-rate

Polypropylene Plastic Tanks... Ten years, no additional labor